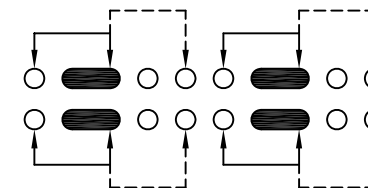
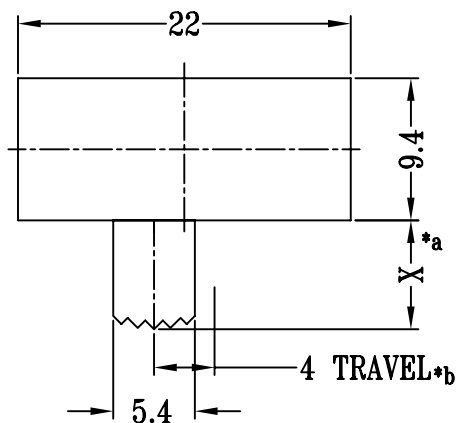
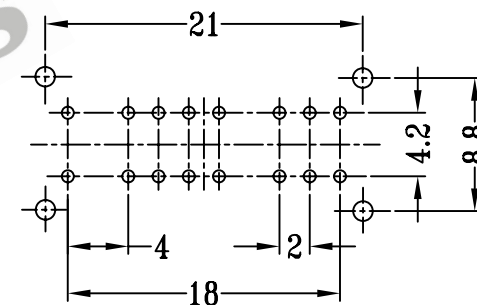
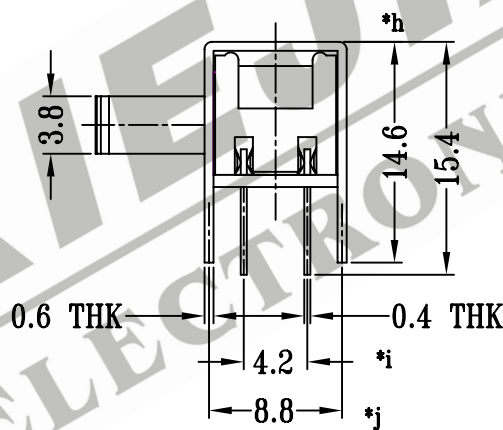
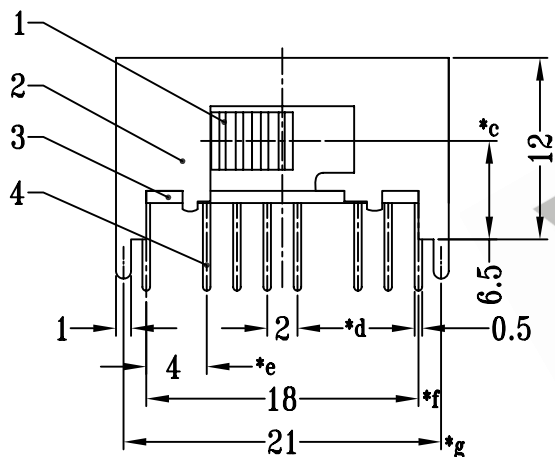


CAD FILE:



SCHEMATIC (NOT-SPECIFIED)



P.C.B LAYOUT

注：*表示关键尺寸（10个）

8					TOLERANCE UNLESS SPECIFIED	SHENZHEN XIEJIA ELECTRONICS CO.,LTD.				
7	STEEL BALL	STEEL	1	NATURAL	WITHIN: 1.5±0.1mm OVER : 1.5±0.2mm	ISSUE	DATE	DESCRIPTIONS		APPD.
6	SPRING	STEEL WIRE	1	TEMPER		TITLE : HORIZONTAL SLIDE SWITCH	UNIT : MM	DRWG NO.: XJ-DR-SK42H03-00		
5	CONTACT CLIP	PBS STRIP	4	Ag PLATED	MODEL: SK-42H03	SCALE: 2:1	DWN.	ZHOUYU	2006-9-21	
4	TERMINAL	BRASS STRIP	16	Ag PLATED OVER Ni PLATED	ALL MATERIALS MUST BE COMPLIANT TO ROHS		CHK'D	FANGYING	2006-9-21	
3	BASE	PHENOLIC RESIN	1	NATURAL			APPD.	KANGXINAN	2006-9-21	
2	FRAME	STEEL STRIP	1	Ni PLATED						
1	KNOB	POM	1	BLACK						
NO.	PART NAME	MATERIAL	Q'TY	FINISHING						